

MINI-POST PEDESTAL

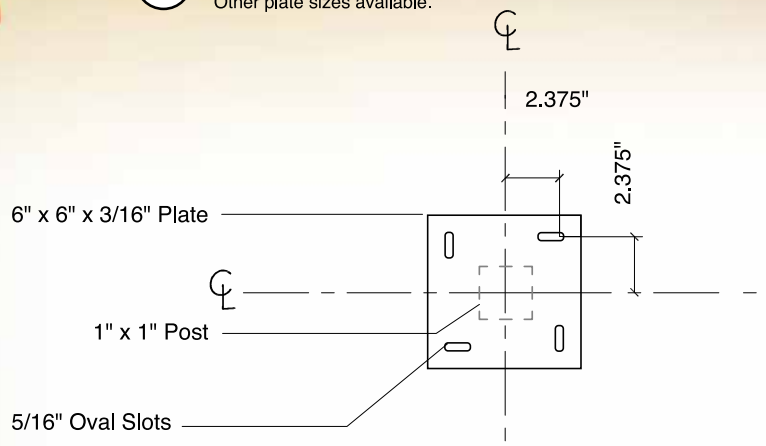
- Black Powder Coated Aluminum
- Custom Sizes and Colors Available

Part #: MPG60-33

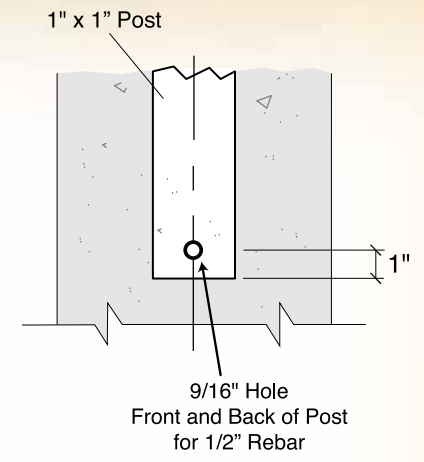
MPG60-33 • 24" to 36" High with 6" x 6" Mounting Plate

1 Mounting Plate

Other plate sizes available.



2 Underground Portion of Post



3 Attaching Panel to Hardware

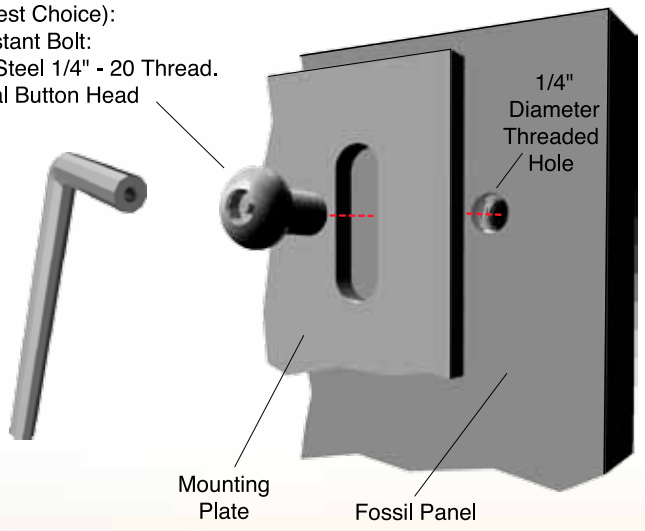
Option #1:

- Attach Gaphic with VHB Tape

Option #2 (Best Choice):

Tamper Resistant Bolt:

- Stainless Steel 1/4" - 20 Thread.
- Anti-vandal Button Head



FOSSIL

INDUSTRIES

44 JEFRYN BOULEVARD
DEER PARK, NY 11729
631.254.9200
WWW.FOSSILGRAPHICS.COM