

UPRIGHT DOUBLE POST PEDESTAL: Surface Mount

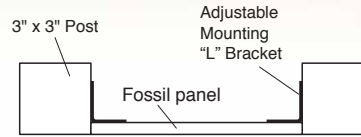
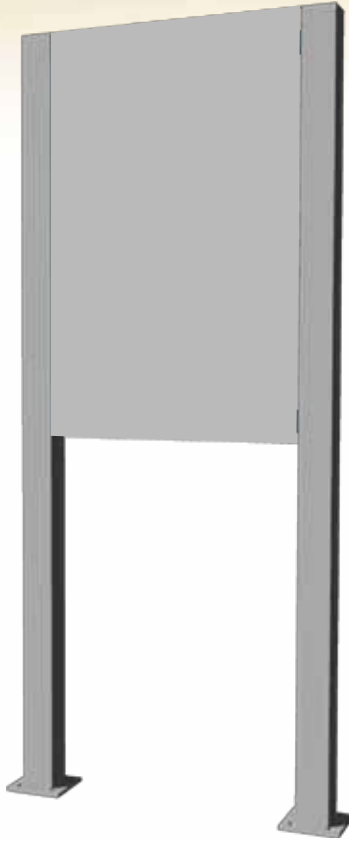
- Black Powder Coated Aluminum
- Custom Sizes and Colors Available

Part #'s:

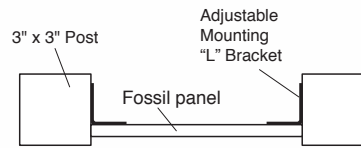
UDE: "Even Mount" with 2, 4, 6, or 8 brackets. UDE2; UDE4; UDE6; UDE8

UDR: "Recessed Mount" with 2, 4, 6, or 8 brackets. UDR2; UDR4; UDR6; UDR8

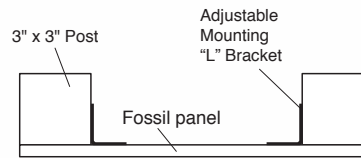
UDF: "Front Mount" with 2, 4, 6, or 8 brackets. UDF2; UDF4; UDF6; UDF8



Even Mount



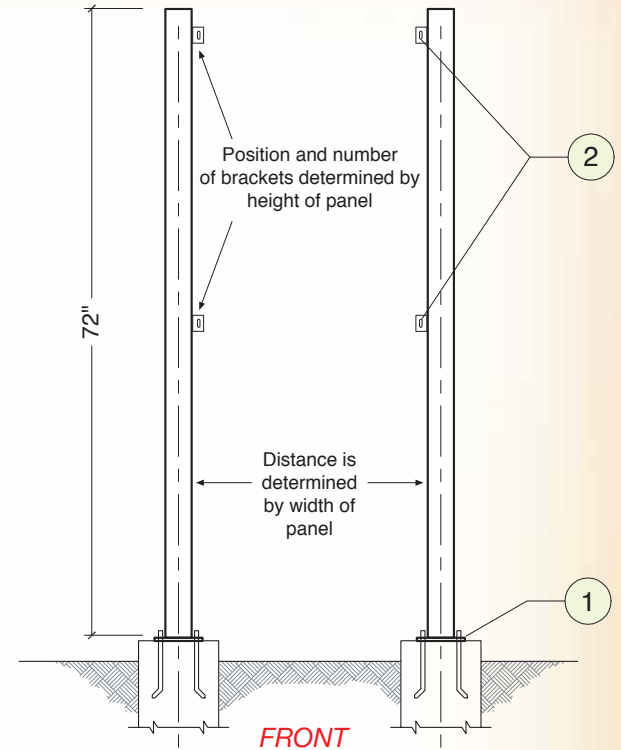
Recessed Mount



Front Mount

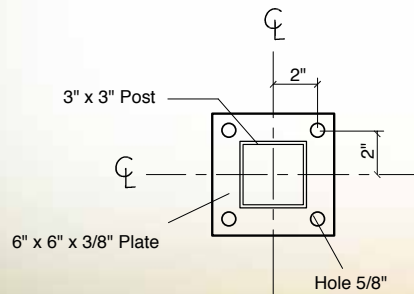
TOP

"Tamper Resistant Bolts" to attach graphics are available with our graphic panels. Fasteners to attach this item to concrete are available at hardware stores.

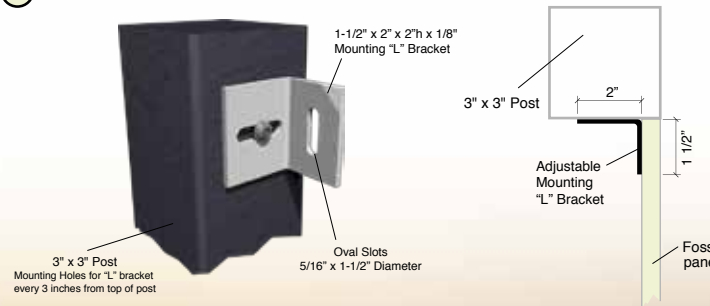


FRONT

① Base Plate (3x3 Post)



② "L" Shaped Bracket



③ Attaching Panel to Hardware

- Tamper Resistant Bolt:
- Stainless Steel 1/4" - 20 Thread.
 - Anti-vandal Button Head

