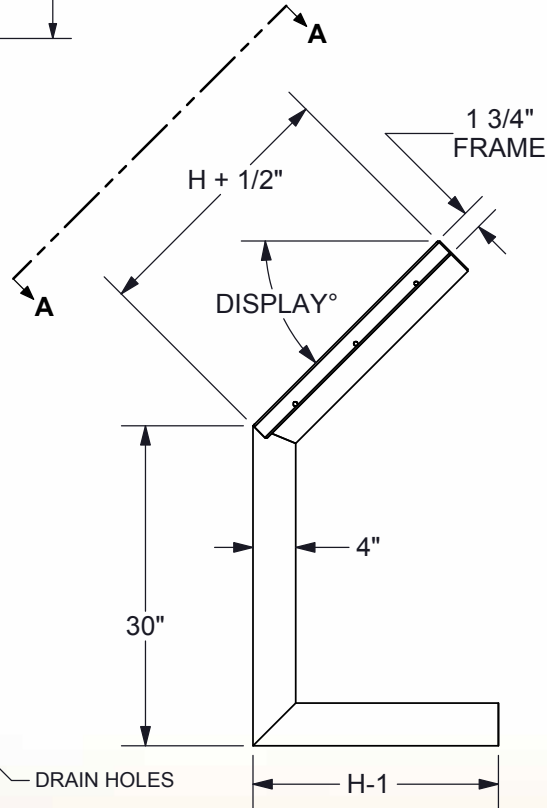
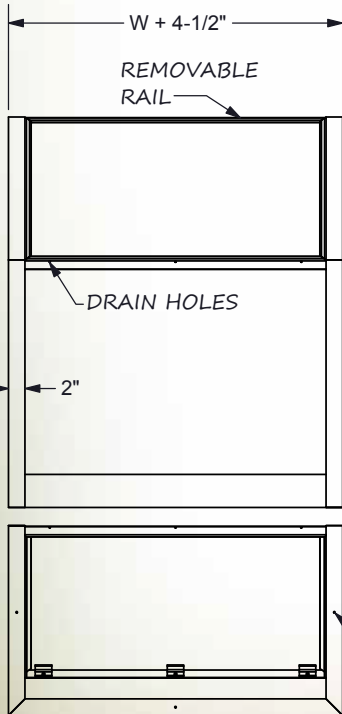
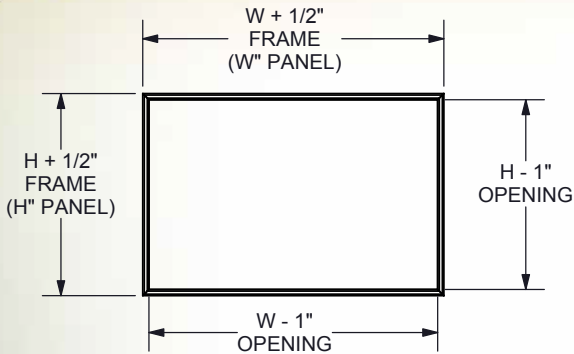
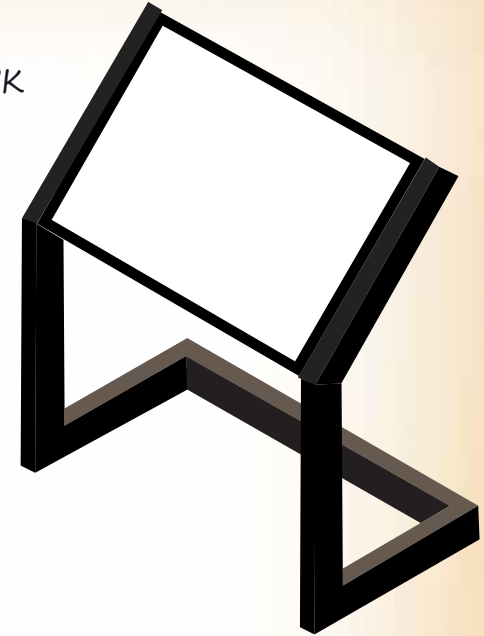


### FRAME w/ CANTILEVER SLED BASE

- 45 or 30° DISPLAY ANGLE
- FRAME FOR PANEL HxW, 1/8" or 1/4" THICK
- 2x4 FRAMEWORK
- BLACK POWDER COATED ALUMINUM

\* Frames are sized to fit graphic panel



### GRAPHIC PANEL INFO

Corners may have up to  
MAX 3/4" x 3/4" chamfer OR 3/4" radius

